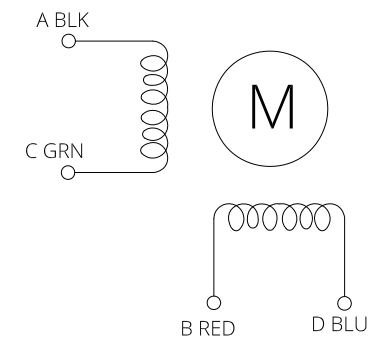


Diagram



Item	Specification	Item	Specification
Phase Number	2	Step Angle	1.8° ± 5%
Rated Voltage	DC7.2V / Phase	Rated Current	DC 1.0A / Phase
Phase Resistance	7.2x(1±15%) Ω	Phase Inductance	7.0x(1±20%) mH
Holding Torque	1.8Kgf-cm (18N-cm)	Detent Torque	15 mN-m REF.
Rotation Direction	A-AB-B CW	Insulation Resistance	100Mohm(DC500V)
HI-POT	AC600V/1mA/1S	Insulation Class	Class B 130°C
Rotor Inertia	21.4 g-cm ² REF	Weight	127g REF

A		NEW RELEASE		Xu SD	J.B.	11/25/20
REV.	ECN NO.	DESCRIPTION		MADE BY	APPR. BY	DATE
		VIEW	LDO Motors Co., Ltd.			
		SCALE	Part NO. NEMA17 Stepper Motor LDO-425TH20-1004AS-MM(VRN)			
DRAWN BY	CHECKED BY	APPR. BY	DATE	FACTORY CODE	SHEET NO.	
Xu SD	J.B.	J.B.	11/25/20		1/1	