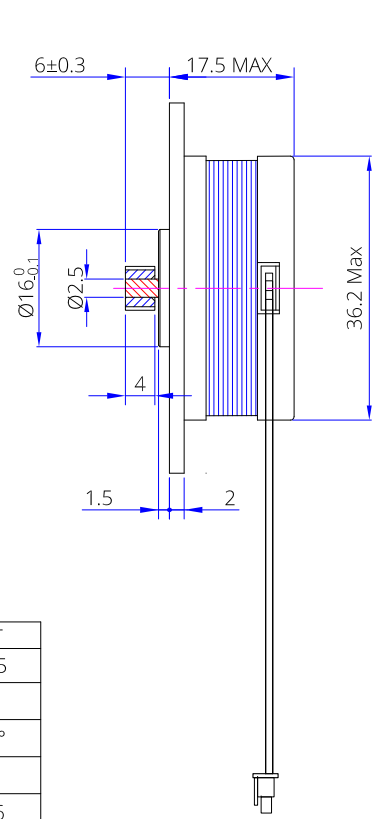


A

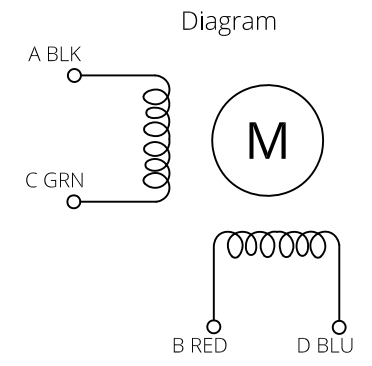
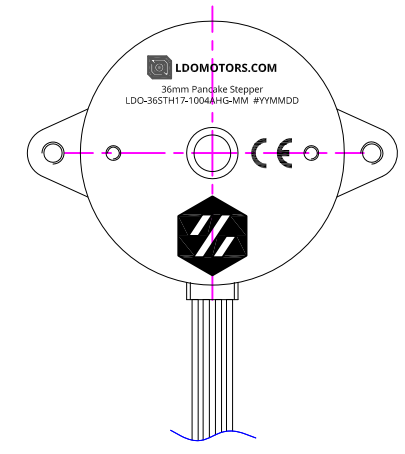
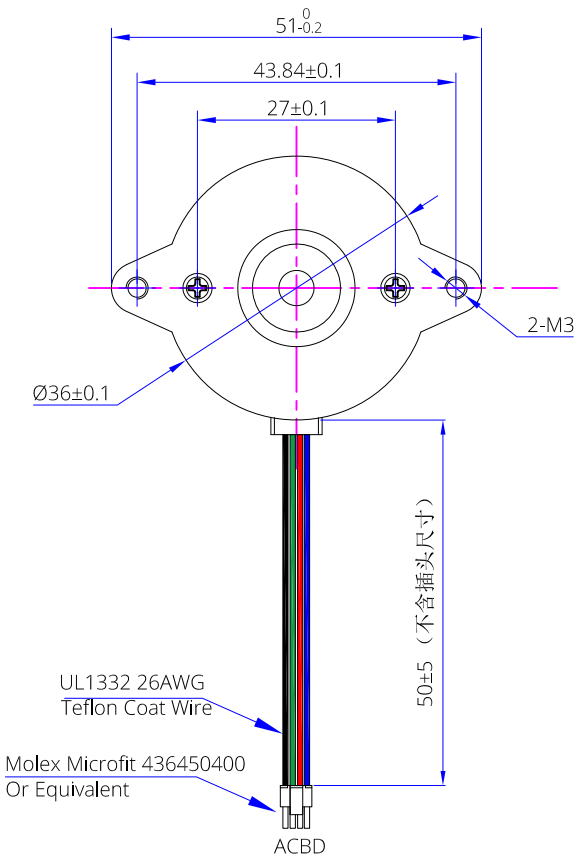
B

C

D



Specification for the gear	
MODULE	m=0.5
NO. OF TEETH	z=10
PRESSURE ANGLE	a=20°
PITCH DIA.	d=5
OUTSIDE DIA.	da=6



Item	Specification	Item	Specification
Phase Number	2	Step Angle	1.8° ± 5%
Rated Voltage	DC 10V / Phase	Rated Current	DC 1.0A / Phase
Phase Resistance	10.0x(1±10%) Ω	Phase Inductance	6.0x(1±20%) mH
Holding Torque	100mN-m MIN	Detent Torque	5 mN-m REF.
Rotate Direction	ACBDA CW	Insulate Resistance	100Mohm(DC500V)
HI-POT	AC600V/1mA/1S	Insulation Class	Class H 180°C
Rotor Inertia	13.7 g-cm ² REF	Weight	70 g REF

REV.	ECN NO.	DESCRIPTION	MADE BY	APPR. BY	DATE
A	---	NEW RELEASE	Xu SD	J.B.	11/26/20

	VIEW		LDO Motors Co., Ltd.		
	SCALE		Part NO. 36mm Round Pancake Stepper LDO-36STH17-1004AHG-MM(VRN)		
DRAWN BY	CHECKED BY	APPR. BY	DATE	FACTORY CODE	SHEET NO.
Xu SD	J.B.	J.B.	11/26/20		1/1